

The Idyllic Islands &  
Majestic Shores of

# Croatia & Montenegro

Private-Style Cruising Aboard the 100-Guest *Corinthian*  
May – October 2014











INTERNATIONAL  
**Wildlife**   
ADVENTURES

Dear Traveler,

The coast of Croatia and Montenegro is almost too lovely for its own good. Ancient Greek settlers, Roman and Byzantine emperors, Venetian doges, and Ottoman caliphs have coveted this sun-dappled, island-dotted stretch of the Adriatic Sea. Yet, this magnificent coastline has escaped the machinery of mass tourism. The idyllic islands, the small, well-preserved medieval towns lining the coast, the phenomenal monuments, the palm-lined promenades, and the exquisite landscapes and seascapes have retained their authenticity and original character.

There are about a thousand islands that line Croatia's coast, and sailing through this magnificent archipelago and stopping to explore the islands and coastal towns is one of the most delightful travel experiences in the world. The setting of the small port towns and their architecture could not be more perfect. As the ship approaches, we see ancient walls rising from the water's edge to enclose delightful towns of cobblestoned streets and stone buildings with tiled roofs.

Aboard the elegant, 50-suite *Corinthian*, we will show you the Dalmatian Coast's well-established highlights, but also the hidden jewels. You may participate in organized shore excursions, but you will also have time to explore on your own as well as enjoy the local nightlife. And as befits a private-style cruise, you will have the opportunity to participate in activities that are not possible to duplicate on larger ships, such as swimming and snorkeling in turquoise waters straight from *Corinthian's* swimming platform, kayaking in secluded bays, or biking country lanes on the ship's fleet of bikes—all at no additional cost.

If you wish to cruise and explore one of Europe's most beautiful and unspoiled regions in a style that is beyond the ordinary, join us aboard *Corinthian*. You will be warmly welcomed as an individual traveler, not a tourist.

Sincerely,

*Randy and Susie Green*

Randy and Susie Green  
Directors

***Cover: The distinctive skyline of Rab Town, on the island of the same name  
Right: Hvar's ancient alleyways and architectural features make it one of Croatia's loveliest islands.***



# Explore the Idyllic Dalmatian Coast &



*Korcula's perfectly preserved medieval town*

**F**ROM THE DECK OF YOUR ELEGANT SHIP, ISLANDS APPEAR—evolving forms held in bright sunshine above impossibly clear, royal blue seas. As the ship rounds bleached cliffs, forest mounds, and pebble beaches, a port comes into view: a medieval walled town, perched like a captain on the prow of his ship, virtually unchanged through six centuries or more. Its crenellated walls, campaniles, and patrician villas speak of a rich past. At night, moonlight pools on the ancient flagstones.

This is Croatia and Montenegro, renowned for their physical beauty, the splendor of their ancient towns and villages that have preserved their character and architecture through the centuries, the magnificence of their monuments, the elegance of their customs and traditions, and the vitality of the friendly inhabitants.

## THE PERFECT WAY TO CRUISE AND EXPLORE

This superb corner of the Mediterranean has a long and proud maritime tradition. As in bygone ages, Croatia's Dalmatia and Montenegro are best appreciated when accessed from the sea. But on which ship you cruise matters a lot. This is not an area for today's mega cruise ships. The small islands, ancient towns, and villages cannot accommodate large crowds of tourists. When traveling in such large groups, people miss the essence of what these places are all about.

Our ship, the *Corinthian*, is the ideal cruise ship for this voyage. As you will read in the description of the ship (page 12), *Corinthian* offers the comfort, facilities, and elegance of a modern cruise ship, yet it has only 50 suites for 100 guests—the right number to enable you to explore in depth the places we will visit without overwhelming their ages-old infrastructure.

**[4] For reservations or information, please call us at 800-808-4492**



# Islands on a Private-Style Cruise



*In the Old Town of Dubrovnik*



*Venice's Grand Canal*

## MORE THAN JUST SIGHTSEEING

On our cruises, we offer more than ordinary sightseeing tours. To begin with, aboard ship you will attend lectures given by experts in a variety of fields that relate to our destinations. Having an understanding of the history of the place and the cultures that built the monuments, you will be able to better appreciate the explorations ashore, which are led by accomplished and knowledgeable guides.

But there is something else that we offer that is precious. Time. You will have time not only to explore via organized in-depth excursions, but also time to make your own discoveries at your own pace. Time to photograph, to walk the narrow lanes, to meet the locals, to sample local delicacies, and to browse local shops. And as we stay in many of the ports until late in the evening, you will also be able to experience the legendary outdoor Mediterranean nightlife: walking along the sea promenade or enjoying the cuisine of a local taverna or café.

## SPECIAL EXPERIENCES

### Biking, Kayaking, Swimming

Croatia and Montenegro offer unparalleled opportunities for biking, kayaking, and swimming. With *Corinthian's* own fleet of bikes and kayaks, we are able to organize biking excursions along country roads and scenic village lanes, and kayaking in secluded bays and hidden coves. And when the weather



permits, you will enjoy swimming in the translucent, turquoise waters for which Croatia is justly famous, from the ship's stern's swimming platform. All these special activities are available at no additional cost.

# Cruise, Learn, & Enjoy

Every cruise will be accompanied by expert speakers who will lecture on various topics relating to our destinations. Among the experts who will join our cruises are the following:



**Christopher MacEvitt**, associate professor of religion at Dartmouth, specializes in the history of medieval Christian communities, particularly around the Mediterranean. On this trip he will talk about Diocletian, Constantine, and the Late Roman Empire, and Venice and the Crusades. **(Onboard May 1-9)**



**Charlie Ingrao** is professor of history at Purdue University, where he teaches courses in modern Europe. Since 1996 his research and writing have focused primarily on ethnic coexistence and conflict in the former Yugoslavia, and he has made over 40 trips to the war zones in the 1990s. His latest book, *Confronting the Yugoslav Controversies*, presents a common narrative of the recent Balkan war. **(Onboard May 8-16)**



**Jodi Magness** is Kenan Distinguished Professor in the Department of Religious Studies at the University of North Carolina. Her career has included research and teaching positions at Brown University and Tufts University, where she taught Classical Archaeology for ten years. Jodi's lecture topics will include, "What Have the Romans Ever Done for Us?", Byzantine Art and Architecture, and Early Greek colonization. **(Onboard May 15-23)**



**William North**, Associate Professor of History at Carleton College, is interested in the dynamics of religious and cultural encounter and how the legacies of the ancient world are preserved and re-appropriated for contemporary purposes, especially within the Mediterranean World. He will speak about the layering of these successive legacies in the Adriatic Sea. **(Onboard May 22-30)**



**Anne-Marie Bouché** is Associate Professor of Art History at Florida Gulf Coast University, where she teaches courses on Western art and architecture before 1700. She was Assistant Professor of Western Medieval Art at Princeton University and spent several years as a staff lecturer and researcher at The Cloisters Museum in New York. **(Onboard June 26-July 4 & July 24-August 1)**



**Harry Amory Cahill** has served as an American diplomat for over 30 years, his last post being U.S. Minister Counselor to the U.N. His assignments in the former Yugoslavia and its present-day successor nations included USAID director, embassy officer in Belgrade and Sarajevo, chief of refugee operations, and political-military adviser to NATO forces in Bosnia. He continues to serve in the State Department, consults for the Defense Department, and teaches at Pepperdine University. He speaks Serbo-Croatian and will lecture on the region's history, politics, economy, and arts and culture. **(Onboard August 28-September 5)**



**John Meffert** has traveled extensively as a lecturer on architecture, preservation, and culture for many respected institutions. He served as the director for the National Trust for Historic Preservation's Southern Office from 1982-1988 and was the director of the Preservation Society of Charleston, the oldest nonprofit organization in the U.S. Mr. Meffert is a principal with Heritage Consulting Services. **(Onboard September 25-October 3)**

## SPECIAL THEME CRUISES

To enrich your experience further, the cruises listed below will feature specific themes which will be in addition to the lectures on the history and culture of our destinations. Expert lecturers and artists will be aboard to develop each of these themes.

Theme	Cruise Dates
Photography	May 8-16 August 7-15
Gastronomy (food and wine)	June 26-July 4 July 31-August 8
Gardens & Botany	May 1-9 July 24-August 1
Classical Chamber Music	June 19-27 October 9-17
Arts & Architecture	August 21-29
Contemporary Events & History	August 28-September 5





*Magical Dubrovnik, one of Europe's best-preserved medieval cities*





*The fragrant lavender fields of Hvar*





# Itinerary

Day 1 – Thursday

## USA

Fly from the U.S. to Venice, Italy.

Day 2 – Friday

## VENICE, Italy | EMBARK

Arrive in Venice and transfer to *Corinthian*. Sail in the evening. (D)

Day 3 – Saturday

## RAB ISLAND, Croatia | CRUISING THE KORNATI ARCHIPELAGO

Perched on a sloping peninsula overlooking a spacious bay, Rab, the only town on the small island by the same name, is one of the most beautiful towns along Croatia's coast. Four graceful belfries pointing to the sky dominate the unspoiled medieval town, with its narrow streets that are lined with stately mansions and other buildings. The Cathedral of Sveta Marija Velika (Saint Mary the Great), consecrated in 1177, is an excellent example of a Romanesque basilica, while its magnificent Bell Tower is a masterpiece of 12<sup>th</sup>-century architecture. Our walking tour of this lovely town will include all its landmark sites. In the afternoon, the ship will cruise by the Kornati Archipelago, a national park of about 100 uninhabited islands. (B, L, D)

Day 4 – Sunday

## SPLIT

Originally a Greco-Illyrian settlement, Split is an ancient city centered around the formidable Palace of Diocletian, built in A.D. 295-305. Today it is a designated UNESCO World Heritage site. An extensive structure, much of which is well preserved, the palace contains within its walls Split's medieval town, making it the only palace that has been continuously inhabited since



*Split's old town, built within Roman Emperor Diocletian's Palace*



*Komiza, Vis Island*

Roman times. Our tour of this extensive structure includes a visit to its underground cellars, the Mausoleum, Jupiter's Temple, the Peristyle, and the Northern Gate. Conclude the city tour with a visit to the gallery of famous Croatian sculptor, Ivan Mestrovic. (B, L, D)

Day 5 – Monday

## HVAR & VIS ISLANDS

Discover Hvar, a fertile island of pale stone houses surrounded by rosemary, lavender, and laurel. The architecture is unmistakably Venetian, and there are fine fortifications. Our tour of the island's principal town includes a visit to the 17<sup>th</sup>-century Municipal Theater, the Franciscan Monastery and its small gallery, the city's Loggia, and St. Stephen's Square. Continue by bus to the 16<sup>th</sup>-century fortress, at the top of the hill, for spectacular views of Hvar Town's red-tiled rooftops and harbor. Later today, continue to Vis, one of Croatia's most beautiful and unspoiled islands. Land at Vis Town, set on a splendid bay, and drive across the small island to the quaint town of Komiza, which has retained its medieval character and architecture. Stately homes and other buildings face the palm-lined harbor, while the terraced hillside provides a lovely background to this idyllic setting. (B, L, D)

Day 6 – Tuesday

## PLOCE | MOSTAR, Bosnia & Herzegovina | PLOCE, Croatia

Sail to Ploce for an excursion to Mostar, which in the 15<sup>th</sup> century under the Ottoman Turks became a thriving center on the banks of the emerald Neretva River. Damaged by the military conflict in the 1990s, the town has been carefully restored by UNESCO and



declared a World Heritage site. Admire the ethereally graceful Stari Most (“The Old Bridge”), originally built in 1566, the nearby Tabacica Mosque, and an old Turkish house, among other sites. After lunch at a local restaurant there will be free time to explore the old bazaar, a haven for the city’s artists and craftsmen. (B, L, D)

*Day 7 – Wednesday*

**KORCULA ISLAND**

We arrive at Korcula Island and dock at the town of the same name. Steps away from our ship stands the medieval city with its walls and guard towers still intact. Note the medieval town’s unique layout: western streets run straight to funnel refreshing *maestral* breezes; eastern streets slightly curve to minimize *bura* winds. Visit St. Mark’s Cathedral and its Treasury, the Bishop’s Palace, the Church of All Saints, the Icon Museum, and Marco Polo’s home. Continue by bus and drive to the eastern end of the island, abundant in quaint old villages, vineyards, wineries, and out-of-the-way beaches. In the village of Blato, visit the Ethnographical Museum and enjoy wine sampling at a local tavern. (B, L, D)

*Day 8 – Thursday*

**KOTOR, Montenegro | DUBROVNIK, Croatia**

Sail the deep, fjord-like Bay of Kotor to reach the port town of the same name, located at the head of the bay beneath towering mountains. One of the most striking and best-preserved towns along the Adriatic coast, Kotor is a designated UNESCO World Heritage site. A tour of this delightful town reveals its magnificent walls, palaces, and churches, including the Drago Palace, with its elegant Renaissance windows, the 12<sup>th</sup>-century St. Tryphon Cathedral, and the baroque Lipovac Palace. Over lunch aboard, sail to Dubrovnik.

Set on a rocky peninsula jutting into the Adriatic Sea, Dubrovnik is one of Europe’s best-preserved medieval cities and a designated UNESCO World Heritage site. The city contains within its ramparts the Rector’s Palace; the Franciscan Monastery, which houses a 13<sup>th</sup>-century pharmacy (the oldest in Europe); and the baroque Cathedral, with works by Renaissance painters Titian and Andrea del Sarto. Overnight aboard ship docked in Dubrovnik. (B, L, D)

*Day 9 – Friday*

**DUBROVNIK | DISEMBARK**

Disembark and transfer to the airport for return flights. (B)

**2014 Departures**

<b>(Venice-Dubrovnik)</b>	<b>(Dubrovnik-Venice)</b>
May 8-16	May 1-9
May 22-30	May 15-23
<del>June 5-13 SOLD OUT</del>	<del>May 29-June 6 SOLD OUT</del>
June 19-27	<del>June 12-20 SOLD OUT</del>
<del>July 3-11 SOLD OUT</del>	June 26-July 4
<del>July 17-25 SOLD OUT</del>	<del>July 10-18 SOLD OUT</del>
July 31-August 8	July 24-August 1
August 14-22	August 7-15
August 28-September 5	August 21-29
<del>September 11-19 SOLD OUT</del>	<del>September 4-12 SOLD OUT</del>
September 25-October 3	<del>September 18-26 SOLD OUT</del>
October 9-17	October 2-10
October 23-31	October 16-24



*Mostar, with its landmark bridge, built originally in 1566, spans the emerald Neretva River*





## Optional Extensions in Dubrovnik, Venice, & Sarajevo

Start your trip a bit earlier or extend it with optional extensions in Venice, Dubrovnik, or Sarajevo.

### VENICE

**Includes:** One night's accommodation at the deluxe *Hotel Bonvecchiati* (or similar) with breakfast; airport-hotel-pier or pier-hotel-airport transfers; tour of the city; all taxes and service charges

**Rates:** \$775 per person, double occupancy; single supplement: \$260

*Additional hotel nights are available at \$320 per person, per night, double occupancy; single supplement: \$260.*

### DUBROVNIK

**Includes:** One night's accommodation at the deluxe *Hotel Excelsior* (or similar) with breakfast; airport-hotel-pier or pier-hotel-airport transfers; tour of the city; all taxes and service charges

**Rates:** \$435 per person, double occupancy; single supplement: \$190

*Additional hotel nights are available at \$260 per person, per night, double occupancy; single supplement: \$190.*

### SARAJEVO & DUBROVNIK

Discover Sarajevo, the atmospheric capital of Bosnia & Herzegovina, celebrated for the beauty of its location and medieval architecture. During our two-day visit we will explore the city's principal monuments, many of them dating from the 16<sup>th</sup> century, and enjoy time at leisure to explore the city's bazaars and quaint lanes. Also included is a one-night stay in Dubrovnik with a city tour.

**Includes:** Two nights' accommodation at the *Hotel Europa* or *Bristol* and one night's accommodation in Dubrovnik at the deluxe *Hotel Excelsior* (or similar) with breakfast; tours of Sarajevo and Dubrovnik; two dinners; transfer from Sarajevo's airport to the hotel; transportation from Sarajevo to Dubrovnik, with sightseeing and lunch en route; all taxes and service charges

**Rates:** \$1,290 per person, double occupancy; single supplement: \$385

*Additional hotel nights are available in Sarajevo at \$165 per person, double occupancy; single supplement: \$95.*





## Corinthian Sets the Standard for Private-Style Cruising

In an era of mega cruise ships that carry thousands of passengers, *Corinthian* is a delightful alternative. More like a private yacht than a cruise ship, *Corinthian* accommodates only 100 guests in 50 suites. *Corinthian's* limited guest capacity, fine facilities, and distinctive style of operation attract like-minded travelers who return again and again to enjoy its custom-crafted itineraries and a style of cruising that is rarely found today.

All of *Corinthian's* suites face outside, providing views of the sea and landscape. Several have a private balcony. There are expansive open deck areas and attractive facilities, including a gym, spa, library (with Internet access), beauty salon, two lounges, a sun deck with Jacuzzi, and an outdoor cafe. An elegant restaurant accommodates all guests in an open, unassigned seating. An elevator serves all decks. A resident physician attends a well-equipped infirmary. Wi-Fi is available throughout the ship.



*Dining on deck*

Served by 65 seasoned officers and crew, *Corinthian* complies with the latest international safety regulations, including those of the U.S. Coast Guard, meets the requirements of the Centers for Disease Control and Prevention/U.S. Department of Health and Human Services, and is outfitted with the most current navigational and communications technology. *Corinthian* is equipped with retractable fin stabilizers and a fleet of Zodiac inflatable craft for forays ashore.







*Veranda Suite*



*Restaurant*



*Category C Suite*



*Nautilus Club*



*Sun Deck*



# PROGRAM INCLUSIONS

- 7-night cruise aboard the all-suite, 100-guest *Corinthian*
- All meals aboard ship, including house wine, beer, and soft drinks with lunch and dinner
- Welcome and farewell cocktail receptions aboard ship
- All tours and excursions
- Enrichment program of lectures and discussions by onboard expert lecturers (and private classical music concerts on the June 19-27 & October 9-17 cruises)
- Comprehensive pre-departure materials
- Transfers and baggage handling abroad on the designated arrival and departure dates
- Gratuities to porters, guides, and drivers
- Professional Travel Dynamics International tour staff

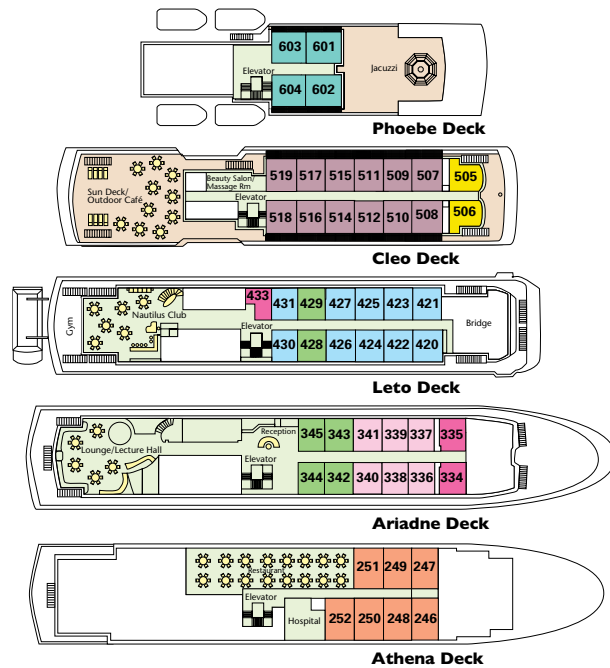
## Not Included

- Airfare
- Visa and passport fees (if applicable)
- Trip cancellation and baggage insurance
- Meals and beverages other than those specified above
- Personal expenses (such as laundry, telephone, Internet, etc.)
- Port taxes and charges
- Gratuities to shipboard personnel

## Air Reservations

Please contact International Wildlife Adventures at 800-808-4492 or 206-463-1943 for airfare information and to reserve flights.

# DECK PLAN



## CRUISE AND LAND RATES | PER PERSON, DOUBLE OCCUPANCY

All accommodations aboard *Corinthian* are suites. They face outside, affording sea views, and include a bedroom with two twin-size beds that can convert to a queen-size bed, sitting area, mini-refrigerator, safe, spacious closets, climate control, telephone, TV, DVD/CD player, Internet connection, and bathroom with marble vanity, shower, and other amenities. All suites are non-smoking.

CATEGORY	DESCRIPTION	RATE
<b>E</b>	Deluxe suites on Ariadne and Leto Decks with windows and sitting area. 215 sq. ft. Suites *342 - *345,*428,*429 <small>*PARTIALLY OBSTRUCTED VIEW</small>	<b>\$4,890</b>
<b>D</b>	Deluxe suites on Ariadne and Leto Decks with window and sitting area. 215 sq. ft. Suites 334 - 335, 433	<b>\$5,290</b>
<b>C</b>	Deluxe suites on Athena Deck with portholes and sitting area. 275 sq. ft. Suites 246 - 252	<b>\$5,890</b>
<b>B</b>	Deluxe suites on Ariadne Deck with windows and sitting area. 225 sq. ft. Suites 336 - 341	<b>\$6,790</b>
<b>A</b>	Deluxe suites on Leto Deck with window and sitting area. 235 sq. ft. Suites 420 - 427, 430 - 431	<b>\$7,290</b>
<b>AA</b>	Deluxe suites on Cleo Deck with forward windows and sitting area. 285 sq. ft. Suites 505 - 506	<b>\$7,890</b>
<b>VS</b>	Deluxe Veranda Suites on Cleo Deck with private balcony and sitting area. 245 sq. ft. Suites 507 - 519	<b>\$8,690</b>
<b>PHS</b>	Deluxe Penthouse Suites on Phoebe Deck with private balcony and sitting area. 260 sq. ft. Suites 601 - 604	<b>\$9,290</b>

**Third person sharing a suite: \$1,990**

**SINGLES:** Single accommodations are available in select categories at a supplement to the per person, double occupancy rates as follows:  
Category E: \$1,790; Category C: \$2,090; Category A: \$2,490; Category VS: \$4,390.

**Port taxes and charges: \$310 per person**





## GENERAL INFORMATION

**PAYMENT SCHEDULE:** A deposit of \$1,500 per person is required to reserve your space on the tour. For your convenience, you may charge your deposit to your Visa or MasterCard. Final payment is due 90 days prior to departure. Credit cards are not accepted for final payment. However, personal checks are accepted for both deposits and final payment.

**CANCELLATIONS & REFUNDS:** All cancellations are subject to a \$500 per person fee. Cancellations received 61-90 days prior to departure will be assessed a penalty equal to 50% of the total program cost per person. Cancellations received within 60 days of departure are subject to 100% cancellation penalties.

**INSURANCE:** We strongly recommend the purchase of trip cancellation insurance, which is available for coverage of expenses in conjunction with cancellation due to illness or accident. Baggage insurance is also recommended. In the event that you must cancel your participation in a travel program, trip cancellation insurance may be the only source of reimbursement.

**ITINERARY:** The itinerary, accommodations, and arrangements are subject to change at the discretion of Travel Dynamics International Ltd.

**RESPONSIBILITY:** Please read carefully the following terms and conditions, which constitute the sole, legally enforceable agreements between the passenger and Travel Dynamics International Ltd. and the tour's sponsoring organization. The passenger is also advised to review his/her separate ticket passage contract with the vessel's owner/operator, which will constitute the sole, legally enforceable terms of carriage for this cruise and is available on request from Travel Dynamics International Ltd. Travel Dynamics International Ltd. and the tour's sponsoring organization act solely as agents for the passenger with respect to all transportation, hotel and other tour arrangements. In that capacity, we exercise all reasonable care possible to ensure the passenger's safety and satisfaction, but, we neither assume nor bear any responsibility or liability for any injury, death, damage, loss, accident, delay or irregularity arising in connection with the services of any ship, airplane, train, automobile, motor coach, carriage or other conveyance, or the actions of any third party, involved in carrying the passenger or in affecting these tours. We are not responsible for damages, additional expenses, or any other losses due to cancellation, delay or other changes in air or other services, sickness, weather, strike, war, civil disturbances, acts or threats of terrorism, travel warnings or bans, termination or suspension of war risks or other carrier insurance, quarantine, acts of God or other causes beyond our control. All such losses must be borne by the passenger, and tour rates provide for arrangements only for the time stated. In the event of cancellation, delay or rescheduling mandated by any of the aforesaid causes beyond our control, the passenger shall have the option of accepting in lieu of the original tour such rescheduled tour or other substituted tour(s) as may be offered by us, or else, receiving a refund of as much of such advance tour expenditures as we are able to recover on the passenger's behalf from carriers, third-party tour vendors, etc., but, we shall not have any obligation or liability to the passenger beyond the foregoing. We reserve the right to make alterations to the tour's itinerary and to substitute hotels, ships, or lecturers if this is required. We reserve the right to cancel, delay, or reschedule any tour prior to departure, and, so long as this is not due to any of the aforesaid causes beyond our control, the passenger shall be entitled to a full

refund of all monies paid to that point if he/she so desires. No refund shall be made for any unused portion of any tour. By forwarding their deposit(s), the passenger certifies that he/she and/or their dependents, minors or others covered thereby do not have any mental, physical or other condition of disability that could create a hazard for them or other passengers. We reserve the right to decline to accept or to decline to retain any person as a member of any tour should such person's health, condition or actions adversely affect or threaten the welfare or safety of other passengers or impede the tour. Baggage or valuables brought on the tour shall be transported, handled or stored at the passenger's risk entirely, and, we shall bear no liability or responsibility for any damage or other loss thereto. Passenger tickets are not transferable and are not subject to alteration by the passenger. No suit shall be maintainable against the carrier, or vessel, for any losses, accidents, damages to person, property, personal injury (including death or other types of bodily injury) of the passengers, unless written notice of the claim, with full particulars, is delivered to the carrier or its agents at its office at the port of sailing or at the port of termination within six months from the day when such incident occurred. In no event shall any such suit or any claim against the carrier or vessel for any losses, accidents, damages to person, property, personal injury (including death or other types of bodily injury) of the passenger be maintainable unless such suit is commenced within one year from the day when the incident causing such losses, accidents, damages to person, property, personal injury (including death or other types of bodily injury) of the passenger occurs, notwithstanding any provision of law of any state or country to the contrary. Resolution of any disputes arising hereunder shall be brought within the United States District Court for the Southern District of New York, pursuant to the applicable general maritime law, and applying the applicable general maritime law and Federal maritime statutes.

**RATES:** Tour costs are based upon current airfares, tariffs, and currency values. While we do everything possible to maintain the listed prices, they are subject to change.

**FUEL SUPPLEMENT:** Travel Dynamics International Ltd. reserves the right to charge a fuel supplement, without prior notice, if the NYMEX oil price exceeds \$85 per barrel. This supplement may be charged even if the cruise fare has been paid in full.

**SHIP'S REGISTRY:** Malta

CST #204 3599-40 TDI

For reservations or further information,  
please call International Wildlife Adventures  
at 800-808-4492 or 206-463-1943

[www.wildlifeadventures.com](http://www.wildlifeadventures.com)



# The Idyllic Islands & Majestic Shores of Croatia & Montenegro

**Cruises  
Featuring  
Special Guest  
Speakers,  
Classical Music,  
& A Culinary  
Voyage**

For reservations or further information,  
please call International Wildlife Adventures  
at **800-808-4492** or **206-463-1943**

**[www.wildlifeadventures.com](http://www.wildlifeadventures.com)**

IWAD 14214-17, 14221-22, 14226-31, 14235-39

*Idyllic Kornati Archipelago, a nature preserve*